

KS J-CARRIER

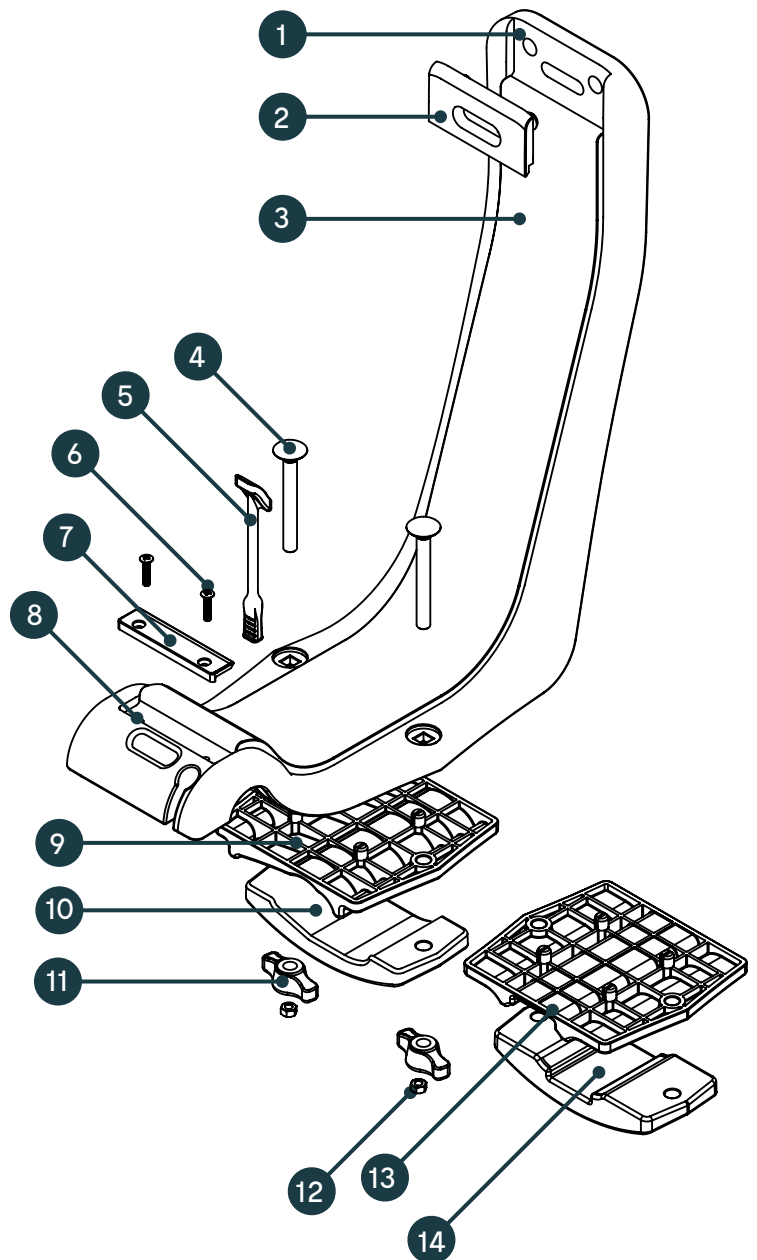
SOLID TRANSPORT CARRIER FOR KAYAKS



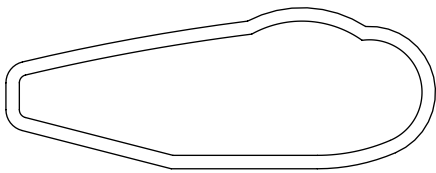
PART LIST

Parts

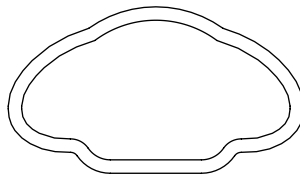
- 1. (276211) Frame
- 2. (276213) Upper foam end part
- 3. (276225) Foam
- 4. (454870) Retention bolt x 2
- 5. (276217) Paddle holder
- 6. (453412) Pozi screw M4-12 x 2
- 7. (276215) Lower foam end part
- 8. (461140) Nut M4
- 9. (276281) Airfoil adapter, up
- 10. (276283) Airfoil adapter, down
- 11. (276220) Thumbscrew x 2
- 12. (461180) Nut M8 x 2
- 13. (276271) Square/oval adapter, up
- 14. (276273) Square/oval adapter, down



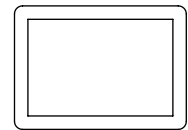
FULLY COMPATIBLE WITH THULE ROOF RACK



Airfoil adapter
(Thule Wingbar)



Oval/Square adapter
(Thule Oval)



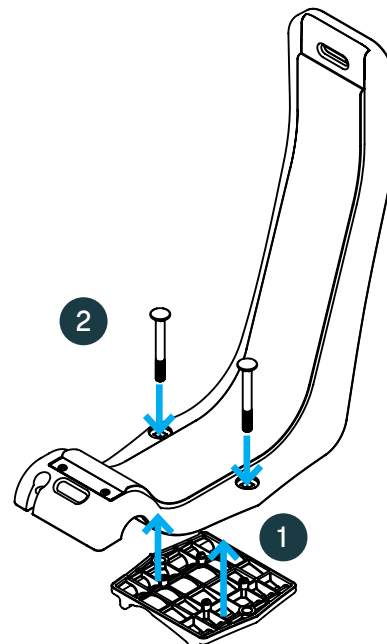
Oval/Square adapter
(Thule Square)

USER INSTRUCTIONS

Assembling the J Carrier

1. Choose and fit correct profile adapter in bottom of the carrier frame part. The adapter (Up) has 4 support pins which allocates and holds the adapter on it's place. Adapter can easily be changed or removed any time later.

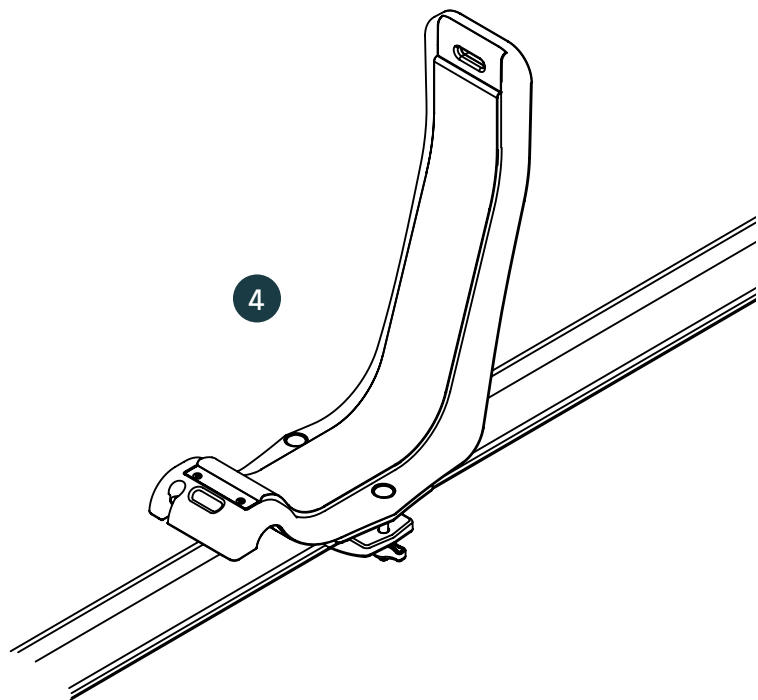
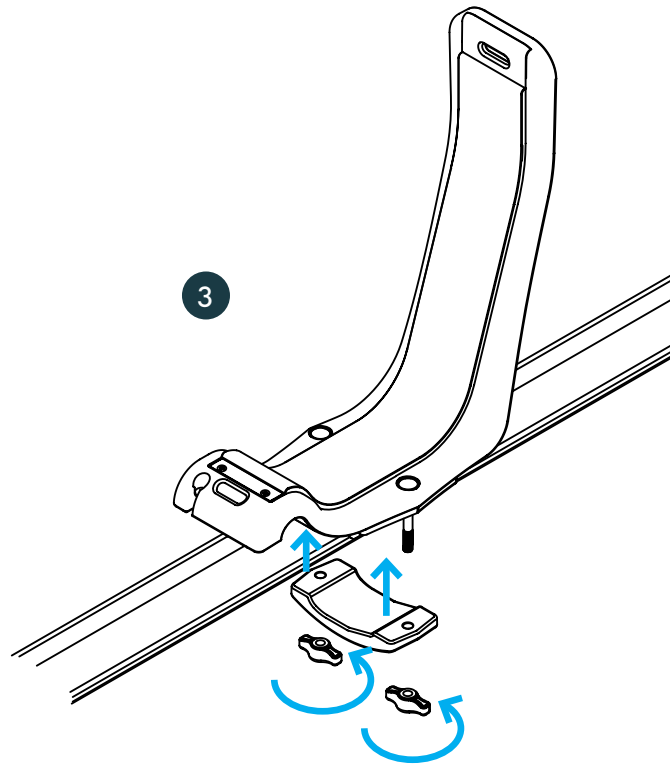
2. Push retention bolts in places shown in the drawing next to. Make sure the bolt fit's well in the recess just below the surrounding surface.



Installing the J Carrier to roof rack

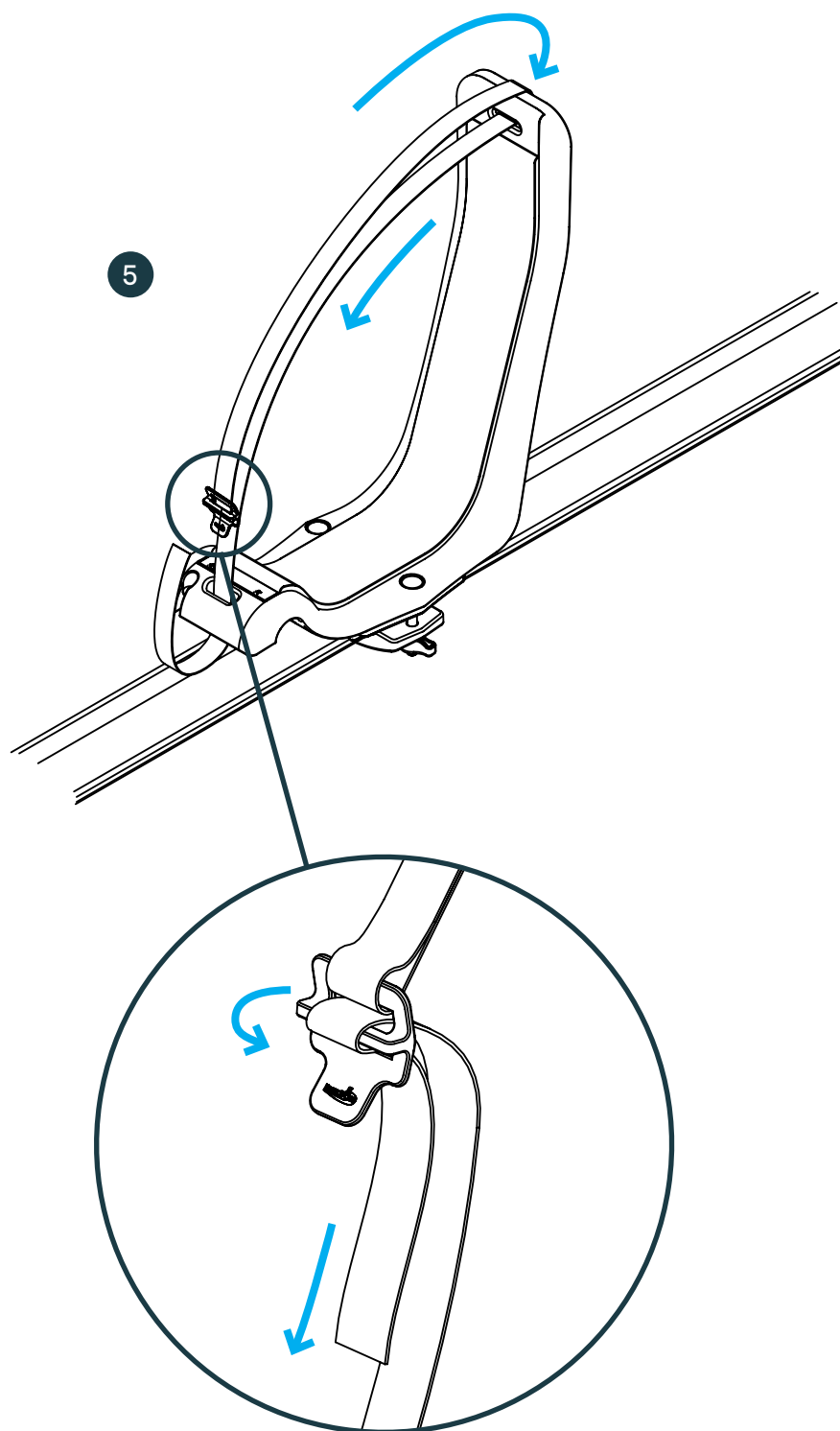
3. Set the assembled J Carrier in top of the roof rack. Slide the counterpart (Adapter, Down) underneath of the roof rack and tighten it well with thumbscrews.

4. Check carefully that the carrier is locked well in correct position and it won't slide or slip in the roof rack.



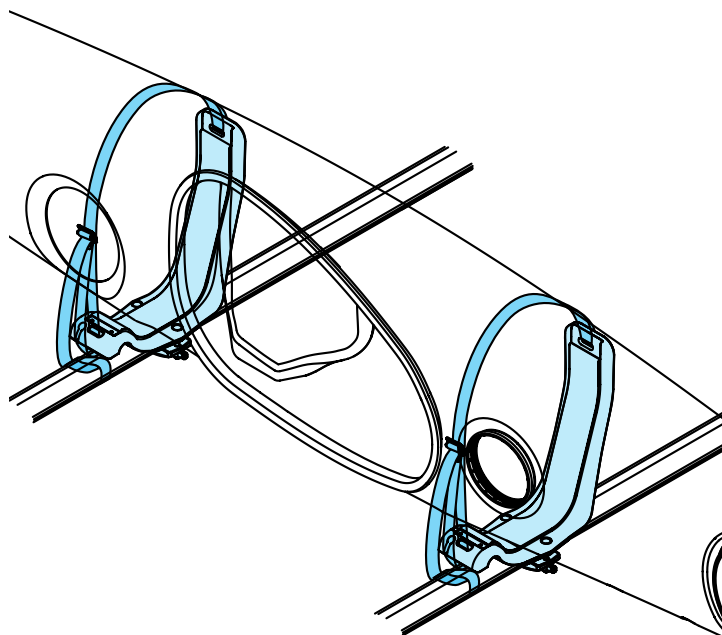
Installing the transportation strap

5. We recommend to fix the kayak to the carrier with KS Kajak Strap. String the strap through the upper fixing point so that the buckle end is left in top. Lift the kayak on it's place and string the strap through the lower fixing point. Lead the strap through the buckle like shown in the drawing next to and tighten the strap well with hands. Make sure the buckle is well oriented along the strap natural line and nor in a sharp or critical angle to cause torsion or release stress to the buckle. Buckle is realeased by turning the buckle lever upwards, so do not make knot close to the buckle to cause risk of accidental release of the buckle. Coil the left over strap for. e.g. around the roof rack and secure with knot.



Kayak is now safely loaded to your car roof racks. Make sure the J carriers are in a straight line along the car to minimize the air resistance. Usually the strongest and most secure tie down place of the kayak is both side of the cockpit. Check the completed loading from both end of the kayak. If there is obvious free movement in the kayak it is a sign of required additional support for safe transport.

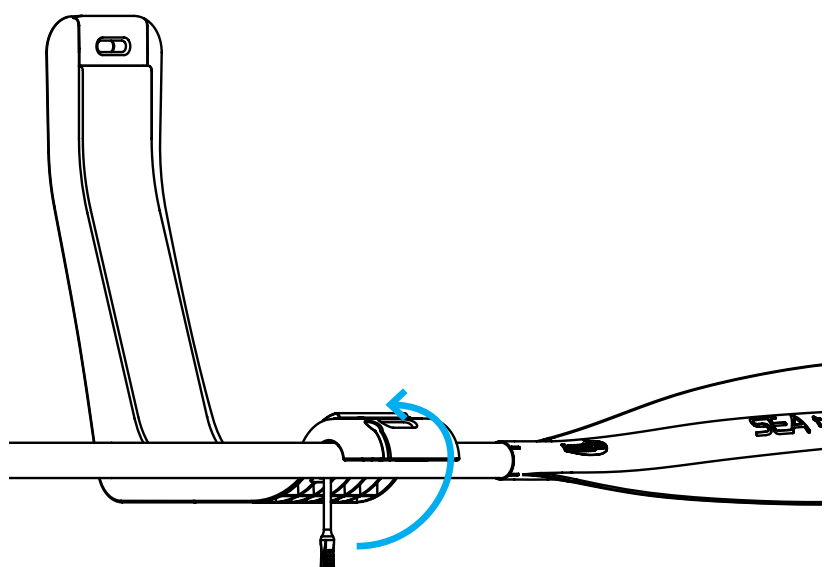
Add support straps in both ends of the kayak to minimize the longitudinal and rotational load and movement.



Using paddle holder

J Carrier has integrated paddle holder to allow easy paddle transport in roof racks.

The front profile of the J carrier is made to adapt paddle shaft and hold it safe. Place the paddle into the slot and stretch the rubber holder around the shaft and secure it in the holder slot at front of the carrier.



Finally add KS transportaion flag in the aft end of the kayak for official signal on long transport.

